

930th Forum for Security Co-operation
6 November 2019



KAACKO19

**FINNISH DEFENCE FORCES` JOINT
FIELD AND COMMAND POST TRAINING
EXERCISE 2019**

Information Bfg in FSC 6th November 2019

UNCLASSIFIED

6.11.2019 Permanent Delegation of Finland to the OSCE 1

UNCLASSIFIED


1. KAAKKO19 BRIEFLY

a) Regular joint exercise

- Combination of CPX, FTX, LFX, FIT and Joint Ex

b) Main objectives

- To train an all services joint operation in south-east parts of Finland
 - Bn-bg level field exercise and live firing exercise
 - Training of armored troops as a part of a Battalion Battle Group in a meeting engagement
- Chain of command of joint assets

c) Personnel  FIN: ~12 000

- Includes also the personnel from Navy and Border Guard

d) MWES

MBT ´s	~12	ACV ´s	~100
ACV LAL	29	ARTY/MLRS	21
HELO LT/LPT	4/7	F/A-18 / HAWK	sorties

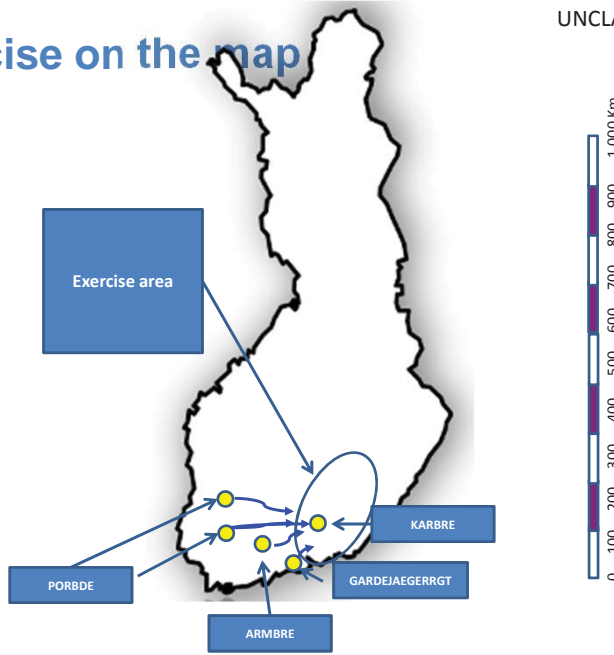
6.11.2019 Permanent Delegation of Finland to the OSCE 2

2. TIMEFRAME AND PHASING

27.11. WEDNES- DAY	28.11. THURSDAY	29.11. FRIDAY	30.11. SATURDAY	1.12. SUNDAY	2.12. MONDAY	3.12. TUESDAY	4.12. WEDNES- DAY
Prepara- tions	Prepara- tions	Defensive Battle	Defensive Battle	Counter attack	Counter Attack	Counter attack	Exercise Dismantl e
Troop movement Command structure establish- ment	Training Situational awareness	Stabilization Situational awareness	Stabilization Situational awareness	Combined assets Chain of command Situational awareness	Combined assets Chain of command Situational awareness	Stabilization Combined assets Chain of command Situational awareness	Hot washup Troop movement

VD11 Observation

3. Exercise on the map



4. UNITS INVOLVED

UNCLASSIFIED

Formation or unit record no.	Designation of formation or unit	Peacetime location	Subordination (1st higher echelon)	Strenght Active/Non-active
SA0001	Army Command	Mikkeli 61°42'25" N 027°12'50" E	DEFCON	294 NON-ACTIVE
SA1000	Karelian Brigade	Vekarajärvi 61°06'40" N 026°58'50" E	ARMYCOM	550 NON-ACTIVE
SA2000	Guard Jaeger Regiment	Santahamina 60°09'20" N 025°03'00" E	ARMYCOM	398 NON-ACTIVE
SA3000	Armoured Brigade	Parolannummi 61°02'00" N 024°21'30" E	ARMYCOM	606 NON-ACTIVE
SA4000	Pori Brigade	Huovininne 61°02'20" N 022°25'30" E	ARMYCOM	650 NON-ACTIVE

According to FSC.EMI/375/18

6.11.2019

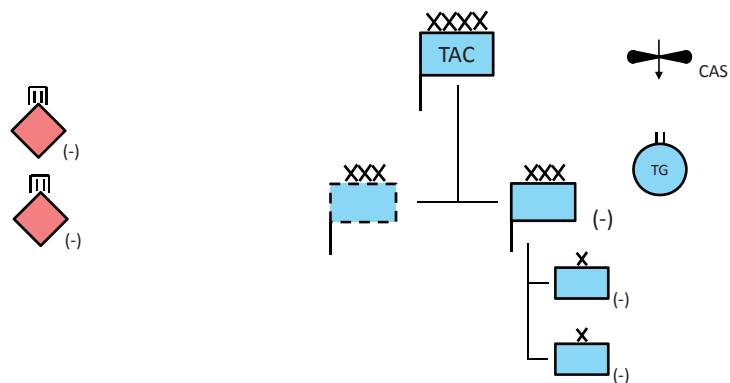
Permanent Delegation of Finland to the
OSCE

5

5. COMMAND AND CONTROL

UNCLASSIFIED

OPFOR



6.11.2019

Permanent Delegation of Finland to the
OSCE

6

6. MWES

UNCLASSIFIED



MBT
LEO2A6
4 pieces



LEO2A4
8 pieces



ACV LAL
XA-202
20 pieces



XA-200
4 pieces



MT-LBU
5 pieces



ACV
CV-9030
26 pieces



MT-LBV
6 pieces



XA-360
13 pieces



XA-203
3 pieces



XA-185
52 pieces



ARTY
122H63
9 pieces



155K98
12 pieces



HELO
NH90
7 pieces



MD500
4 pieces

Permanent Delegation of Finland to the
OSCE

7

7. TRANSPARENCY MEASURES

UNCLASSIFIED

- a) Notification iaw VD11
- CBM/FI/18/0042/F30/O
 - CBM/FI/18/0042/F30/C
 - CBM/FI/19/0034/F41/O
 - CBM/FI/19/0044/F22/O
 - CBM/FI/19/0047/F25/O

- b) Briefings
- FSC 6.11.2019

- c) Possibilities for observation
- DL for registration 7th November

Invitation	EE	DE	DK	FR	IS	LV	LT	NO	PL	SE	RU	UK	US
Participants	2	2		2				1		1	2		2

- d) Publication on websites/public media
- Twitter, Facebook, Instagram, YouTube: #kaakko19 #PVPSH19 #maavoimat #merivoimat #ilmavoimat
 - www.puolustusvoimat.fi , KAAKKO19

6.11.2019

Permanent Delegation of Finland to the
OSCE

8